



## JJASPP-OBS10 Data Sheet

# Oxygen Bottle Restraint System (OBR10)



### Specifications:

Weight – 9 lbs.

Dimension – W: 16 <sup>3</sup>/<sub>4</sub>" , L: 17 <sup>3</sup>/<sub>4</sub>" , H: 3 <sup>1</sup>/<sub>4</sub>"

### FAA/EASA STC Certification:

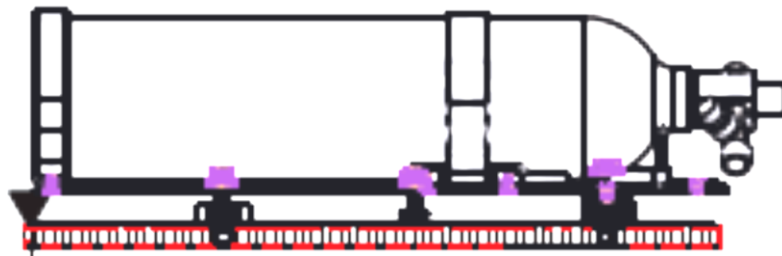
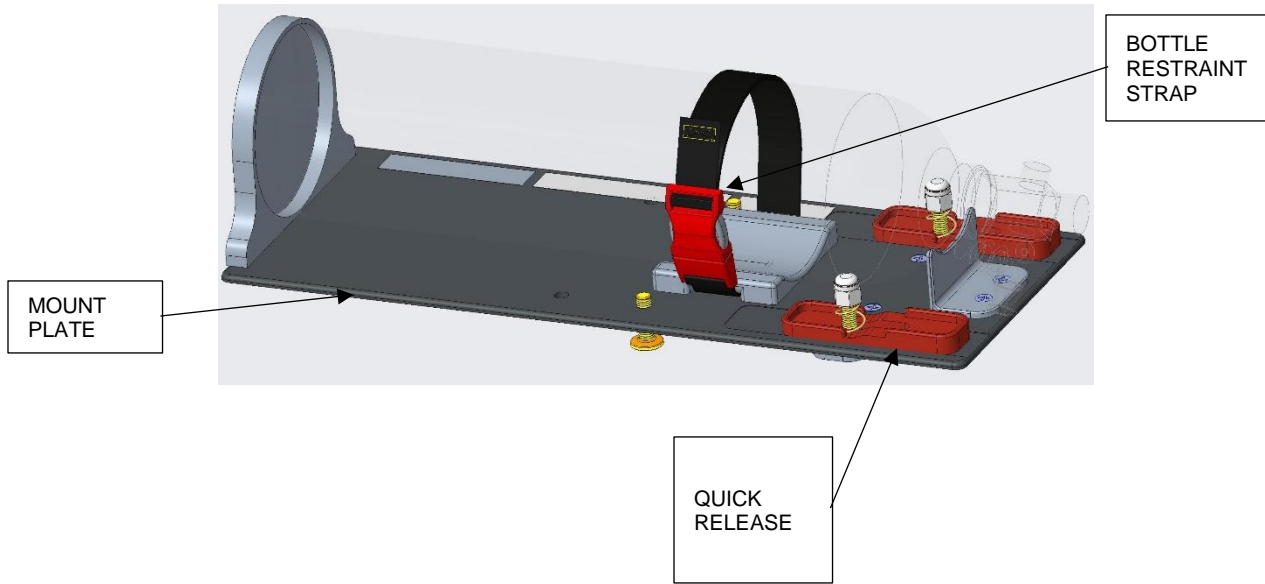
The JJASPP Air Medical BPRS is certified in the following aircraft:

- 1) Airbus EC145 / BK-117 – MQ10-3
- 2) Airbus EC135 – MQ10-3
- 3) Airbus EC130 – MQ10-2
- 4) Airbus AS350 – MQ10-3
- 5) Agusta A119 – MQ10-4
- 6) Agusta AW119 MKII – MQ10-4
- 7) Bell 407 – MQ10-5
- 8) Bell 429 – MQ10-3
- 9) Pilatus PC-12 – MQ10-3
- 10) Pending Certification: Beechcraft King Air



JJASPP ENGINEERING SERVICES, LLC  
JJASPP-MQ-BPRS Data Sheet

# JJASPP MDRS OBRS10

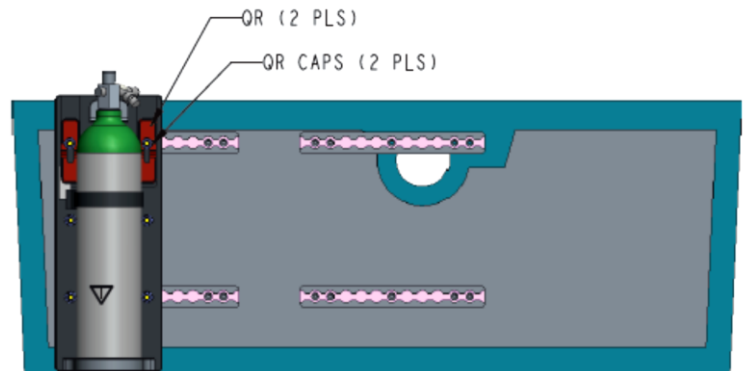




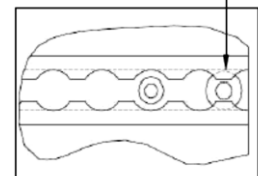
## INSTALLATION

### OBRS10 Installation Instructions

1. Slide Lever Locks (QR Caps) Fully Aft
2. Line-Up the Cleats on the OBRS with the Slots in the Seat Tracks.
3. Bottom Out Cleats with Base on Track by Pressing Down on the Quick Release Caps.
4. Squeeze the OBRS Main Plate Upward
5. Slide Slowly Sideward, (Left or Right) Very Slow.
6. The "Lock Boss" on Both Ends of the OBRS Mount Plate will Drop Down into Track Slots to Safely Secure the OBRS Horizontally.
7. Finally, Slide Lever Locks Fully Forward to Complete the Installation.
8. The OBRS Should Now be Fully Engaged and Locked in the Aircraft Seat Tracks.



Cleat in locked position  
beneath track flange and  
between track slots.





JJASPP ENGINEERING SERVICES, LLC  
JJASPP-MQ-BPRS Data Sheet

**OXYGEN BOTTLE MOUNTED IN OBRs**

